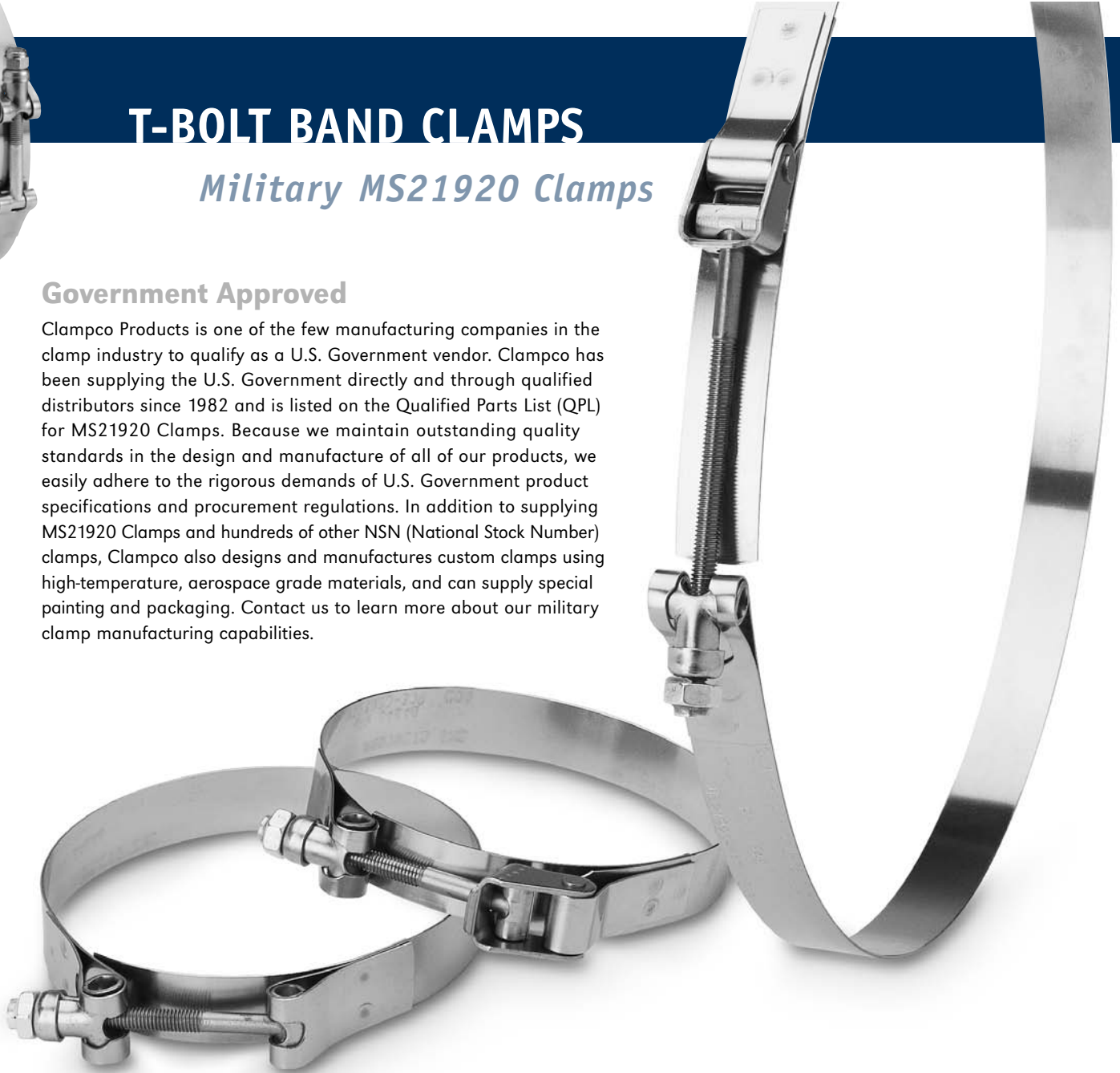


T-BOLT BAND CLAMPS

Military MS21920 Clamps

Government Approved

Clampco Products is one of the few manufacturing companies in the clamp industry to qualify as a U.S. Government vendor. Clampco has been supplying the U.S. Government directly and through qualified distributors since 1982 and is listed on the Qualified Parts List (QPL) for MS21920 Clamps. Because we maintain outstanding quality standards in the design and manufacture of all of our products, we easily adhere to the rigorous demands of U.S. Government product specifications and procurement regulations. In addition to supplying MS21920 Clamps and hundreds of other NSN (National Stock Number) clamps, Clampco also designs and manufactures custom clamps using high-temperature, aerospace grade materials, and can supply special painting and packaging. Contact us to learn more about our military clamp manufacturing capabilities.



CLAMPCO



Custom Order

Customized military clamps often require special clips or brackets. The clamp above is shown with sliding support clips for mounting duct work and canisters to walls or other supporting structures. The sliding clips offer designers and technicians installation flexibility; however, welded support brackets are also available.



Custom Order

This picture shows a clamp with sliding support lugs. The clamp is used to attach ducts and hose lines to solid framework.



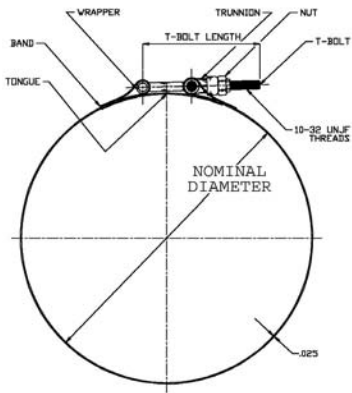
Custom Order

The clamp pictured above features welded lugs. This design is typically specified on heavy-duty aerospace applications.

We Customize. Call Today.

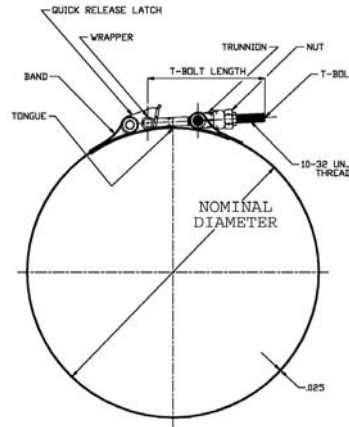
CUSTOM

SPECIFICATIONS



MS21920 Series
Band Width = 0.625 in.
T-BOLT LATCH STYLE

Maximum Torque 65 in.-lbs.



MS21920R Series
Band Width = 0.625 in.
QUICK RELEASE LATCH STYLE

Maximum Torque 65 in.-lbs.

ENGLISH (inches)

GOVERNMENT DESIGNATION	PART NUMBER	NOMINAL DIAMETER	MINIMUM DIAMETER	MAXIMUM DIAMETER	T-BOLT LENGTH	MAX WEIGHT (lbs.)
MS21920-20	93172-0238	2.38	2.25	2.50	2.25	.139 REF
MS21920-21	93172-0250	2.50	2.38	2.62	2.25	.143 REF
MS21920-22	93172-0262	2.62	2.50	2.75	2.25	.143 REF
MS21920-23	93172-0281	2.81	2.62	2.88	2.25	.146 REF
MS21920-24	93172-0288	2.88	2.75	3.00	2.25	.146 REF
MS21920-25	93172-0300	3.00	2.88	3.12	2.25	.150 REF
MS21920-26	93172-0312	3.12	3.00	3.25	2.25	.150 REF
MS21920-27	93172-0325	3.25	3.12	3.38	2.25	.153 REF
MS21920-28	93172-0338	3.38	3.25	3.50	2.25	.153 REF
MS21920-29	93172-0350	3.50	3.38	3.62	2.25	.157 REF
MS21920-30	93172-0362	3.62	3.50	3.75	2.25	.157 REF
MS21920-32	93173-0381	3.81	3.62	4.00	2.50	.164 REF
MS21920-33	93173-0394	3.94	3.75	4.12	2.50	.164 REF
MS21920-34	93173-0406	4.06	3.88	4.25	2.50	.167 REF
MS21920-35	93173-0419	4.19	4.00	4.38	2.50	.167 REF
MS21920-36	93173-0431	4.31	4.12	4.50	2.50	.171 REF
MS21920-37	93173-0444	4.44	4.25	4.62	2.50	.171 REF
MS21920-38	93173-0456	4.56	4.38	4.75	2.50	.174 REF
MS21920-39	93173-0469	4.69	4.50	4.88	2.50	.174 REF
MS21920-40	93173-0481	4.81	4.62	5.00	2.50	.178 REF
MS21920-41	93173-0494	4.94	4.75	5.12	2.50	.178 REF
MS21920-42	93173-0506	5.06	4.88	5.25	2.50	.181 REF
MS21920-43	93173-0519	5.19	5.00	5.38	2.50	.181 REF
MS21920-44	93173-0531	5.31	5.12	5.50	2.50	.185 REF
MS21920-45	93173-0544	5.44	5.25	5.62	2.50	.185 REF
MS21920-46	93173-0556	5.56	5.38	5.75	2.50	.188 REF
MS21920-47	93173-0569	5.69	5.50	5.88	2.50	.188 REF
MS21920-48	93173-0581	5.81	5.62	6.00	2.50	.192 REF
MS21920-49	93173-0594	5.94	5.75	6.12	2.50	.192 REF
MS21920-50	93173-0606	6.06	5.88	6.25	2.50	.195 REF
MS21920-51	93173-0619	6.19	6.00	6.38	2.50	.195 REF
MS21920-52	93173-0631	6.31	6.12	6.50	2.50	.199 REF
MS21920-53	93173-0644	6.44	6.25	6.62	2.50	.199 REF
MS21920-54	93173-0657	6.57	6.38	6.75	2.50	.202 REF
MS21920-55	93173-0669	6.69	6.50	6.88	2.50	.202 REF
MS21920-56	93173-0681	6.81	6.62	7.00	2.50	.205 REF
MS21920-57	93173-0694	6.94	6.75	7.12	2.50	.205 REF
MS21920-58	93173-0706	7.06	6.88	7.25	2.50	.209 REF
MS21920-59	93173-0719	7.19	7.00	7.38	2.50	.209 REF
MS21920-60	93173-0731	7.31	7.12	7.50	2.50	.212 REF
MS21920-61	93173-0744	7.44	7.25	7.62	2.50	.212 REF
MS21920-64	93173-0764	7.64	7.38	8.00	2.50	.227 REF
MS21920-66	93174-0793	7.93	7.62	8.25	3.50	.227 REF
MS21920-68	93174-0818	8.18	7.88	8.50	3.50	.234 REF
MS21920-70	93174-0843	8.43	8.12	8.75	3.50	.234 REF
MS21920-72	93174-0869	8.69	8.38	9.00	3.50	.241 REF
MS21920-74	93174-0893	8.93	8.62	9.25	3.50	.241 REF
MS21920-76	93174-0919	9.19	8.88	9.50	3.50	.248 REF
MS21920-78	93174-0943	9.43	9.12	9.75	3.50	.248 REF
MS21920-80	93174-0969	9.69	9.38	10.00	3.50	.251 REF

ENGLISH (inches)

GOVERNMENT DESIGNATION	PART NUMBER	NOMINAL DIAMETER	MINIMUM DIAMETER	MAXIMUM DIAMETER	T-BOLT LENGTH	MAX WEIGHT (lbs.)
MS21920-20R	93275-0238	2.38	2.25	2.50	2.25	.139 REF
MS21920-21R	93275-0250	2.50	2.38	2.62	2.25	.143 REF
MS21920-22R	93275-0262	2.62	2.50	2.75	2.25	.143 REF
MS21920-23R	93275-0281	2.81	2.62	2.88	2.25	.146 REF
MS21920-24R	93275-0288	2.88	2.75	3.00	2.25	.146 REF
MS21920-25R	93275-0300	3.00	2.88	3.12	2.25	.150 REF
MS21920-26R	93275-0312	3.12	3.00	3.25	2.25	.150 REF
MS21920-27R	93275-0325	3.25	3.12	3.38	2.25	.153 REF
MS21920-28R	93275-0338	3.38	3.25	3.50	2.25	.153 REF
MS21920-29R	93275-0350	3.50	3.38	3.62	2.25	.157 REF
MS21920-30R	93275-0362	3.62	3.50	3.75	2.25	.157 REF
MS21920-32R	93275-0381	3.81	3.62	4.00	2.50	.164 REF
MS21920-33R	93275-0394	3.94	3.75	4.12	2.50	.164 REF
MS21920-34R	93275-0406	4.06	3.88	4.25	2.50	.167 REF
MS21920-35R	93275-0419	4.19	4.00	4.38	2.50	.167 REF
MS21920-36R	93275-0431	4.31	4.12	4.50	2.50	.171 REF
MS21920-37R	93275-0444	4.44	4.25	4.62	2.50	.171 REF
MS21920-38R	93275-0456	4.56	4.38	4.75	2.50	.174 REF
MS21920-39R	93275-0469	4.69	4.50	4.88	2.50	.174 REF
MS21920-40R	93275-0481	4.81	4.62	5.00	2.50	.178 REF
MS21920-41R	93275-0494	4.94	4.75	5.12	2.50	.178 REF
MS21920-42R	93275-0506	5.06	4.88	5.25	2.50	.181 REF
MS21920-43R	93275-0519	5.19	5.00	5.38	2.50	.181 REF
MS21920-44R	93275-0531	5.31	5.12	5.50	2.50	.185 REF
MS21920-45R	93275-0544	5.44	5.25	5.62	2.50	.185 REF
MS21920-46R	93275-0556	5.56	5.38	5.75	2.50	.188 REF
MS21920-47R	93275-0569	5.69	5.50	5.88	2.50	.188 REF
MS21920-48R	93275-0581	5.81	5.62	6.00	2.50	.192 REF
MS21920-49R	93275-0594	5.94	5.75	6.12	2.50	.192 REF
MS21920-50R	93275-0606	6.06	5.88	6.25	2.50	.195 REF
MS21920-51R	93275-0619	6.19	6.00	6.38	2.50	.195 REF
MS21920-52R	93275-0631	6.31	6.12	6.50	2.50	.199 REF
MS21920-53R	93275-0644	6.44	6.25	6.62	2.50	.199 REF
MS21920-54R	93275-0657	6.57	6.38	6.75	2.50	.202 REF
MS21920-55R	93275-0669	6.69	6.50	6.88	2.50	.202 REF
MS21920-56R	93275-0681	6.81	6.62	7.00	2.50	.205 REF
MS21920-57R	93275-0694	6.94	6.75	7.12	2.50	.205 REF
MS21920-58R	93275-0706	7.06	6.88	7.25	2.50	.209 REF
MS21920-59R	93275-0719	7.19	7.00	7.38	2.50	.209 REF
MS21920-60R	93275-0731	7.31	7.12	7.50	2.50	.212 REF
MS21920-61R	93275-0744	7.44	7.25	7.62	2.50	.212 REF
MS21920-64R	93275-0764	7.64	7.38	8.00	2.50	.227 REF
MS21920-66R	93277-0793	7.93	7.62	8.25	3.50	.227 REF
MS21920-68R	93277-0818	8.18	7.88	8.50	3.50	.234 REF
MS21920-70R	93277-0843	8.43	8.12	8.75	3.50	.234 REF
MS21920-72R	93277-0869	8.69	8.38	9.00	3.50	.241 REF
MS21920-74R	93277-0893	8.93	8.62	9.25	3.50	.241 REF
MS21920-76R	93277-0919	9.19	8.88	9.50	3.50	.248 REF
MS21920-78R	93277-0943	9.43	9.12	9.75	3.50	.248 REF
MS21920-80R	93277-0969	9.69	9.38	10.00	3.50	.251 REF

