

BARREL HARDWARE CLAMPS

Zinc Plated & Stainless Steel Barrels



Performance Meets Safety

Clampco offers Barrel Hardware Clamps as yet another fastening solution. When space constraints prohibit the use of standard T-Bolt Band Clamps, Barrel Hardware Clamps offer an attractive, low-profile design. With excellent product performance and attractive appearance, Barrel Hardware Clamps are popular components on appearance-driven products such as motorcycle exhaust systems and high-performance race cars. All stainless steel versions can be electro-polished for improved cosmetics.



Because of their design, Barrel Hardware Clamps ease certain installations. For example, as a Barrel Hardware Clamp is tightened, the end of the socket head cap screw moves away, rather than towards, the operator. This feature improves safety by minimizing parts that protrude after installation, and deep socket installation tools are not required.

Clampco Barrel Hardware Clamps are available in diameters as small as 1.50 in., perfect for tight, hard-to-access spaces. Standard materials for the clamps include 300 series stainless steel bands, zinc plated or stainless steel barrel trunnions and nuts, and stainless steel socket head cap screws.

CLAMPSCO



Custom Order

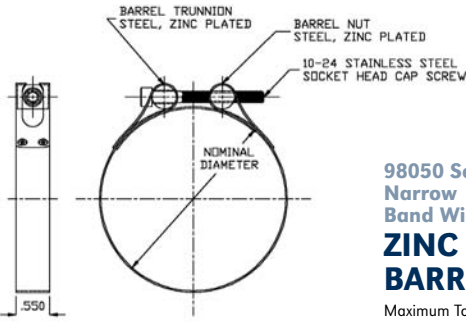
Clampco can also make custom Barrel Hardware Clamps. Some of our custom designs have included metric hardware, heavy-duty hardware, socket head cap screws, hex head bolts, different bandwidths, different band and hardware materials, and even quick-release styles. This picture shows a clamp with a barrel nut, regular stamped trunion, and a socket head cap screw.

We Customize. Call Today.

CUSTOM



SPECIFICATIONS

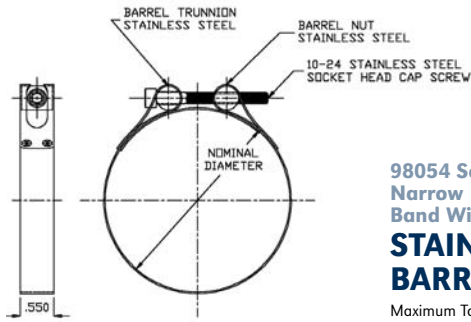


98050 Series Narrow Band Width = 0.55 in. ZINC PLATED BARRELS

Maximum Torque 30 in.-lbs.

ENGLISH (inches)			
PART NUMBER	NOMINAL DIAMETER	MINIMUM DIAMETER	MAXIMUM DIAMETER
98050-0150	1.50	1.36	1.55
98050-0175	1.75	1.61	1.80
98050-0188	1.88	1.74	1.93
98050-0200	2.00	1.86	2.05
98050-0212	2.12	1.98	2.17
98050-0225	2.25	2.11	2.30
98050-0238	2.38	2.24	2.43
98050-0250	2.50	2.36	2.55
98050-0256	2.56	2.42	2.61
98050-0262	2.62	2.48	2.67
98050-0275	2.75	2.61	2.80
98050-0288	2.88	2.74	2.93
98050-0300	3.00	2.86	3.05
98050-0312	3.12	2.98	3.17
98050-0325	3.25	3.11	3.30
98050-0350	3.50	3.36	3.55
98050-0400	4.00	3.86	4.05
98050-0425	4.25	4.11	4.30
98050-0450	4.50	4.36	4.55
98050-0500	5.00	4.86	5.05
98050-0550	5.50	5.36	5.55
98050-0600	6.00	5.86	6.05
98050-0650	6.50	6.36	6.55
98050-0700	7.00	6.86	7.05
98050-0750	7.50	7.36	7.55
98050-0766	7.66	7.52	7.71
98050-0800	8.00	7.86	8.05
98050-0850	8.50	8.36	8.55

METRIC (millimeters)			
NOMINAL DIAMETER	MINIMUM DIAMETER	MAXIMUM DIAMETER	
38	35	39	
45	41	46	
48	44	49	
51	47	52	
54	50	55	
57	54	58	
60	57	62	
63	60	65	
65	61	66	
67	63	68	
69	66	71	
73	70	74	
76	73	77	
79	76	81	
82	79	84	
88	85	90	
101	98	103	
107	104	109	
114	111	116	
127	123	128	
139	136	141	
152	149	154	
165	162	166	
178	174	179	
191	187	192	
194	191	196	
203	200	204	
216	212	217	

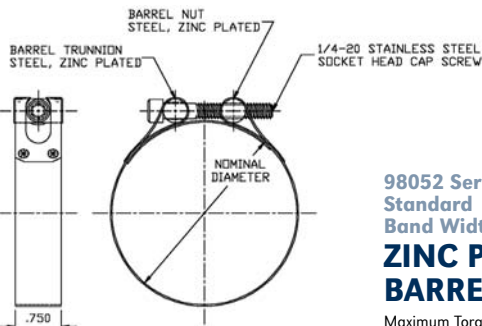


98054 Series Narrow Band Width = 0.55 in. STAINLESS STEEL BARRELS

Maximum Torque 30 in.-lbs.

ENGLISH (inches)			
PART NUMBER	NOMINAL DIAMETER	MINIMUM DIAMETER	MAXIMUM DIAMETER
98054-0150	1.50	1.36	1.55
98054-0175	1.75	1.61	1.80
98054-0188	1.88	1.74	1.93
98054-0200	2.00	1.86	2.05
98054-0212	2.12	1.98	2.17
98054-0225	2.25	2.11	2.30
98054-0238	2.38	2.24	2.43
98054-0250	2.50	2.36	2.55
98054-0256	2.56	2.42	2.61
98054-0262	2.62	2.48	2.67
98054-0275	2.75	2.61	2.80
98054-0288	2.88	2.74	2.93
98054-0300	3.00	2.86	3.05
98054-0312	3.12	2.98	3.17
98054-0325	3.25	3.11	3.30
98054-0350	3.50	3.36	3.55
98054-0400	4.00	3.86	4.05
98054-0425	4.25	4.11	4.30
98054-0450	4.50	4.36	4.55
98054-0500	5.00	4.86	5.05
98054-0550	5.50	5.36	5.55
98054-0600	6.00	5.86	6.05
98054-0650	6.50	6.36	6.55
98054-0700	7.00	6.86	7.05
98054-0750	7.50	7.36	7.55
98054-0766	7.66	7.52	7.71
98054-0800	8.00	7.86	8.05
98054-0850	8.50	8.36	8.55

METRIC (millimeters)			
NOMINAL DIAMETER	MINIMUM DIAMETER	MAXIMUM DIAMETER	
38	35	39	
45	41	46	
48	44	49	
51	47	52	
54	50	55	
57	54	58	
60	57	62	
63	60	65	
65	61	66	
67	63	68	
69	66	71	
73	70	74	
76	73	77	
79	76	81	
82	79	84	
88	85	90	
101	98	103	
107	104	109	
114	111	116	
127	123	128	
139	136	141	
152	149	154	
165	162	166	
178	174	179	
191	187	192	
194	191	196	
203	200	204	
216	212	217	

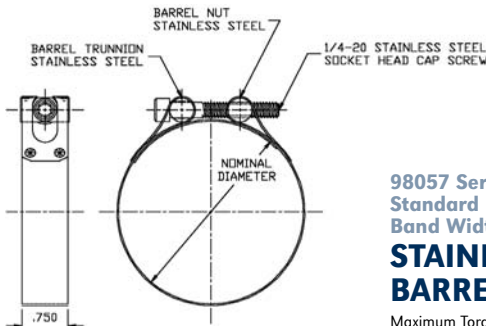


98052 Series Standard Band Width = 0.75 in. ZINC PLATED BARRELS

Maximum Torque 75 in.-lbs.

ENGLISH (inches)			
PART NUMBER	NOMINAL DIAMETER	MINIMUM DIAMETER	MAXIMUM DIAMETER
98052-0150	1.50	1.36	1.64
98052-0175	1.75	1.61	1.89
98052-0188	1.88	1.74	2.02
98052-0200	2.00	1.86	2.14
98052-0212	2.12	1.98	2.26
98052-0225	2.25	2.11	2.39
98052-0238	2.38	2.24	2.52
98052-0250	2.50	2.36	2.64
98052-0256	2.56	2.42	2.70
98052-0262	2.62	2.48	2.76
98052-0275	2.75	2.61	2.89
98052-0288	2.88	2.74	3.02
98052-0300	3.00	2.86	3.14
98052-0312	3.12	2.98	3.26
98052-0325	3.25	3.11	3.39
98052-0350	3.50	3.36	3.64
98052-0400	4.00	3.86	4.14
98052-0425	4.25	4.11	4.39
98052-0450	4.50	4.36	4.64
98052-0500	5.00	4.86	5.14
98052-0550	5.50	5.36	5.64
98052-0600	6.00	5.86	6.14
98052-0650	6.50	6.36	6.64
98052-0700	7.00	6.86	7.14
98052-0750	7.50	7.36	7.64
98052-0766	7.66	7.52	7.80
98052-0800	8.00	7.86	8.14
98052-0850	8.50	8.36	8.64

METRIC (millimeters)			
NOMINAL DIAMETER	MINIMUM DIAMETER	MAXIMUM DIAMETER	
38	35	42	
45	41	48	
48	44	51	
51	47	54	
54	50	57	
57	54	61	
60	57	64	
63	60	67	
65	61	69	
67	63	70	
69	66	73	
73	70	77	
76	73	80	
79	76	83	
82	79	86	
88	85	92	
101	98	105	
107	104	112	
114	110	118	
127	123	131	
139	136	143	
152	149	156	
165	162	169	
178	174	181	
191	187	194	
194	191	198	
203	200	207	
216	212	219	



98057 Series Standard Band Width = 0.75 in. STAINLESS STEEL BARRELS

Maximum Torque 75 in.-lbs.

ENGLISH (inches)			
PART NUMBER	NOMINAL DIAMETER	MINIMUM DIAMETER	MAXIMUM DIAMETER
98057-0150	1.50	1.36	1.64
98057-0175	1.75	1.61	1.89
98057-0188	1.88	1.74	2.02
98057-0200	2.00	1.86	2.14
98057-0212	2.12	1.98	2.26
98057-0225	2.25	2.11	2.39
98057-0238	2.38	2.24	2.52
98057-0250	2.50	2.36	2.64
98057-0256	2.56	2.42	2.70
98057-0262	2.62	2.48	2.76
98057-0275	2.75	2.61	2.89
98057-0288	2.88	2.74	3.02
98057-0300	3.00	2.86	3.14
98057-0312	3.12	2.98	3.26
98057-0325	3.25	3.11	3.39
98057-0350	3.50	3.36	3.64
98057-0400	4.00	3.86	4.14
98057-0425	4.25	4.11	4.39
98057-0450	4.50	4.36	4.64
98057-0500	5.00	4.86	5.14
98057-0550	5.50	5.36	5.64
98057-0600	6.00	5.86	6.14
98057-0650	6.50	6.36	6.64
98057-0700	7.00	6.86	7.14
98057-0750	7.50	7.36	7.64
98057-0766	7.66	7.52	7.80
98057-0800	8.00	7.86	8.14
98057-0850	8.50	8.36	8.64

METRIC (millimeters)			
NOMINAL DIAMETER	MINIMUM DIAMETER	MAXIMUM DIAMETER	
38	35	42	
45	41	48	
48	44	51	
51	47	54	
54	50	57	
57	54	61	
60	57	64	
63	60	67	
65	61	69	
67	63	70	
69	66	73	
73	70	77	
76	73	80	
79	76	83	
82	79	86	
88	85	92	
101	98	105	
107	104	112	
114	110	118	
127	123	131	
139	136	143	
152	149	156	
165	162	169	
178	174	181	
191	187	194	
194	191	198	
203	200	207	
216	212	219	