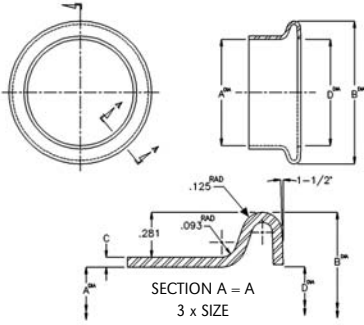


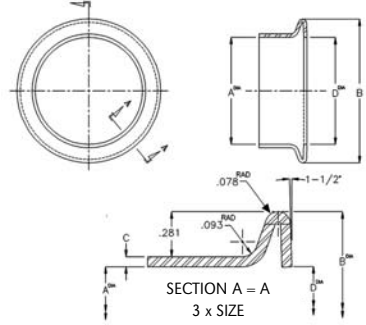
# FLANGES

## Formed Sheet Metal Flanges



Thickness = .062 in.  
**F1034S SERIES**

301, 302, or 304 Stainless Steel  
For use with Clampco Retainer Series 52 and 82  
For use with Clampco Retainer Series 91, pair with a F1026 Machined Flange (see page 25)



Thickness = .062 in.  
**F1038S SERIES**

301, 302, or 304 Stainless Steel  
For use with Clampco Retainer Series 42, 54, 61, and 81  
For use with Clampco Retainer Series 41, 62, and 83, pair with a F1027 Machined Flange (see page 25)

ENGLISH (inches)						
PART NUMBER	TUBE SIZE OUTSIDE DIA	(A) FLANGE INSIDE DIA	(B) FLANGE DIAMETER	(C) MIN THICKNESS	(D) OPENING DIAMETER	COUPLING DIAMETER
F1034S150	1.50	1.510	2.196	.062	1.590	2.32
F1034S175	1.75	1.760	2.446	.062	1.840	2.57
F1034S200	2.00	2.010	2.696	.062	2.090	2.82
F1034S225	2.25	2.260	2.946	.062	2.340	3.07
F1034S250	2.50	2.510	3.196	.062	2.590	3.32
F1034S275	2.75	2.760	3.446	.062	2.840	3.57
F1034S300	3.00	3.010	3.696	.062	3.090	3.82
F1034S325	3.25	3.260	3.946	.062	3.340	4.07
F1034S350	3.50	3.510	4.196	.062	3.590	4.32
F1034S375	3.75	3.760	4.446	.062	3.840	4.57
F1034S400	4.00	4.010	4.696	.062	4.090	4.82
F1034S450	4.50	4.510	5.196	.062	4.590	5.32
F1034S500	5.00	5.010	5.696	.062	5.090	5.82
F1034S550	5.50	5.510	6.196	.062	5.590	6.32
F1034S600	6.00	6.010	6.696	.062	6.090	6.82

ENGLISH (inches)						
PART NUMBER	TUBE SIZE OUTSIDE DIA	(A) FLANGE INSIDE DIA	(B) FLANGE DIAMETER	(C) MIN THICKNESS	(D) OPENING DIAMETER	COUPLING DIAMETER
F1038S150	1.50	1.510	2.196	.062	1.590	2.32
F1038S175	1.75	1.760	2.446	.062	1.840	2.57
F1038S200	2.00	2.010	2.696	.062	2.090	2.82
F1038S225	2.25	2.260	2.946	.062	2.340	3.07
F1038S250	2.50	2.510	3.196	.062	2.590	3.32
F1038S275	2.75	2.760	3.446	.062	2.840	3.57
F1038S300	3.00	3.010	3.696	.062	3.090	3.82
F1038S325	3.25	3.260	3.946	.062	3.340	4.07
F1038S350	3.50	3.510	4.196	.062	3.590	4.32
F1038S375	3.75	3.760	4.446	.062	3.840	4.57
F1038S400	4.00	4.010	4.696	.062	4.090	4.82
F1038S450	4.50	4.510	5.196	.062	4.590	5.32
F1038S500	5.00	5.010	5.696	.062	5.090	5.82
F1038S550	5.50	5.510	6.196	.062	5.590	6.32
F1038S600	6.00	6.010	6.696	.062	6.090	6.82

## Popular Flange Configurations

Clampco Flanges can be used in several combinations. Talk to a Clampco sales engineer to determine the size, style, and retainer series number that is best for you.



**TWO FORMED SHEET METAL FLANGES**



**TWO FLAT FACE SHEET METAL FLANGES**



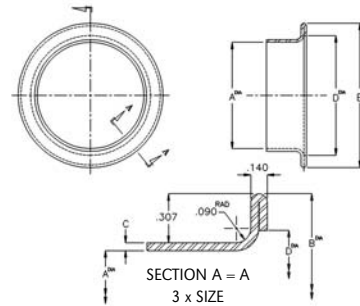
**ONE FORMED SHEET METAL AND ONE MACHINED FLANGE**



**TWO MACHINED FLANGES WITH OR WITHOUT FLAT GASKET**



**TWO MACHINED FLANGES WITH O-RING GROOVE**



Thickness = .050 in.  
**F1039S SERIES**

301, 302, or 304 Stainless Steel  
For use with Clampco Retainer Series 42, 54, 61, and 81

ENGLISH (inches)						
PART NUMBER	TUBE SIZE OUTSIDE DIA	(A) FLANGE INSIDE DIA	(B) FLANGE DIAMETER	(C) MIN THICKNESS	(D) OPENING DIAMETER	COUPLING DIAMETER
F1039S100	1.00	1.010	1.724	.050	1.260	1.81
F1039S125	1.25	1.260	1.974	.050	1.510	2.06
F1039S150	1.50	1.510	2.224	.050	1.760	2.31
F1039S175	1.75	1.760	2.474	.050	2.010	2.56
F1039S200	2.00	2.010	2.724	.050	2.260	2.81
F1039S225	2.25	2.260	2.974	.050	2.510	3.06
F1039S250	2.50	2.510	3.224	.050	2.760	3.31
F1039S275	2.75	2.760	3.474	.050	3.010	3.56
F1039S300	3.00	3.010	3.724	.050	3.260	3.81
F1039S325	3.25	3.260	3.974	.050	3.510	4.06
F1039S350	3.50	3.510	4.224	.050	3.760	4.31
F1039S375	3.75	3.760	4.474	.050	4.010	4.56
F1039S400	4.00	4.010	4.724	.050	4.260	4.81
F1039S450	4.50	4.510	5.224	.050	4.760	5.31
F1039S500	5.00	5.010	5.724	.050	5.260	5.81
F1039S550	5.50	5.510	6.224	.050	5.760	6.31
F1039S600	6.00	6.010	6.724	.050	6.260	6.81